

SPECIFICATION

Image Receptor

Features

- Flat Panel Detector
- TFT- amorphous silicon(a-Si)
- Excellent image quality and reliability
- Optimized algorithms for each different body parts
- Fully compatible with DICOM3.0 standard

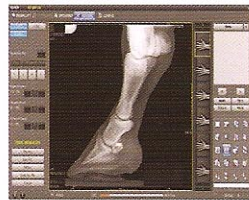
Technical Specifications

- Active image size : 10"x12"(264mm x 325mm)
- Image pixels : 2080 x 2560
- Bit depth : 14 bits
- Pixel Pitch : 127 Micron
- Spatial resolution : 3.9 lp/mm
- Image acquisition time: less than 7 seconds
- Input power : 100-240VAC, 50/60Hz
- Weight : Approx. 3.4kg



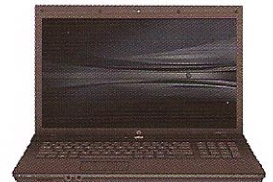
Software

- Fully compatible with DICOM3.0 standard and windows based platform
- Easy to use and easy to learn
- Patient registration and supporting work-list
- Image processing modes for different studies DICOM transfer
- Image manipulation : Window level, Zoom, Pan, Crop, Invert, Rotation. Etc.
- Database : Query, Convert/Export, Insert and Archive
- Print, Reset, Delete, Swap and Configuration



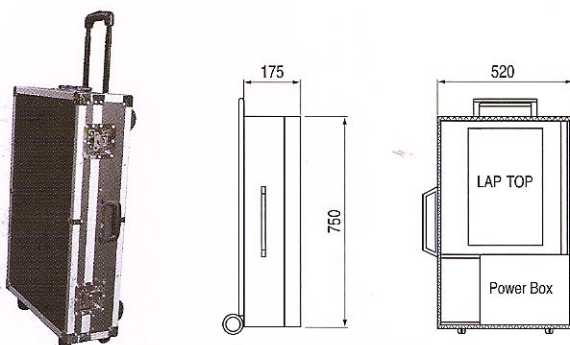
Work Station (LAPTOP)

- O.S : Window XP Professional SP2
- CPU : Intel Core2 Duo
- Memory : 2GB
- Hard disk : 250GB
- Display size : 1600x900
- Optical drive : CD-RW & DVD
- Graphic card : 256MB



Portable Case

Aluminum external case is water and dust resistant construction. Easy to move the full system with the case built-in carting handles. Not necessary to keep each detector and laptop.



Generator (Portable)

- Rating : AC110V~ or AC220V~, 50/60Hz, Single Phase
- Max. output power : 1.44kW
- Rating : kV:40~90kV(1kV increment), mA:14~20mA
- X-ray tube : Focal spot size : 2.0mm
- Target angle : 19°
- Weight : Approx. 6 kg
- Dimensions : 144(W) X 295(D) X 157(H) mm



Grid & Accessories

Detector holder with Anti-Scatter Grid

Ratio	8:1
Frequency	85lines/cm
Type	stationary / removable
Focal Distance	100cm

Detector Positioning Bar

Aluminum body is very light to handle even woman easily and quickly. Simple use with one touch clamping and collapsing the Positioning Bar two parts.

Foot Board

Light weight polycarbonated construction absorbs radiation naturally.

Upgrade to digital radiography and get the best image with JPI's ClearVision DR 9000F Flat Panel Imaging Technology. Acquiring, diagnosing, searching and presenting great radiological images is easier and quicker with our software.

Processing Imaging Equipment Services Ltd
Unit 17G, Brooke's Mill
Armitage Bridge, Huddersfield. HD4 7NR
Tel: 01484 665 333 Fax 01484 306 203
Mobile: 07796 446 226
Email: s.thornton3@btinternet.com
Web: www.xravprocessing.co.uk